

Product designation				Power contactor
Product type designation				DPBF26
Contact characteristics				
Number of poles	Nr.			3
Operational frequency	min	Hz	25	
	max	Hz	400	
Mechanical features				
Operating position	normal allowable			Vertical plan ±30°
Fixing				Screw / DIN rail 35mm
Weight	g			556
Operations				
Mechanical life	cycles			20000000
Electrical life	cycles			1600000
Safety related data				
Performance level B10d according to EN/ISO 13489-1	rated load mechanical load	cycles	1600000	
		cycles	20000000	
Mirror contacts according to IEC/EN 60947-4-1				yes
EMC compatibility				yes
AC coil operating				
AC operating voltage	of 50/60Hz coil powered at 50Hz drop-out			
	max	%Us	0	
DC coil operating				
DC rated control voltage	V			24
DC operating voltage	pick-up	min	%Us	70
		max	%Us	125
	drop-out	min	%Us	10
	max	%Us	40	
Average coil consumption =20°C	in-rush holding	W	5.4	
		W	5.4	
Max cycles frequency				
Mechanical operation	cycles/h			3600
Operating times				
Average time for Us control in AC	Closing NO	min	ms	8
		max	ms	24
	Opening NO	min	ms	5
		max	ms	15
	Closing NC	min	ms	9

		max	ms	20
	Opening NC			
		min	ms	9
		max	ms	17
<hr/>				
	in DC			
	Closing NO			
		min	ms	54
		max	ms	66
	Opening NO			
		min	ms	14
		max	ms	17

UL technical data

Full-load current (FLA) for three-phase AC motor

at 600V A 40

Yielded mechanical performance

for single-phase AC motor

110/120V HP 3
230V HP 7.5

for three-phase AC motor

200/208V HP 10
220/230V HP 10
460/480V HP 30
575/600V HP 30

General USE

Contactor

AC current A 45

Short-circuit protection fuse, 600V

Standard fault

Short circuit current kA 5
Fuse rating A 125
Fuse class RK5

Ambient conditions

Temperature

Operating temperature

min °C -50
max °C 70

Storage temperature

min °C -60
max °C 80

Max altitude

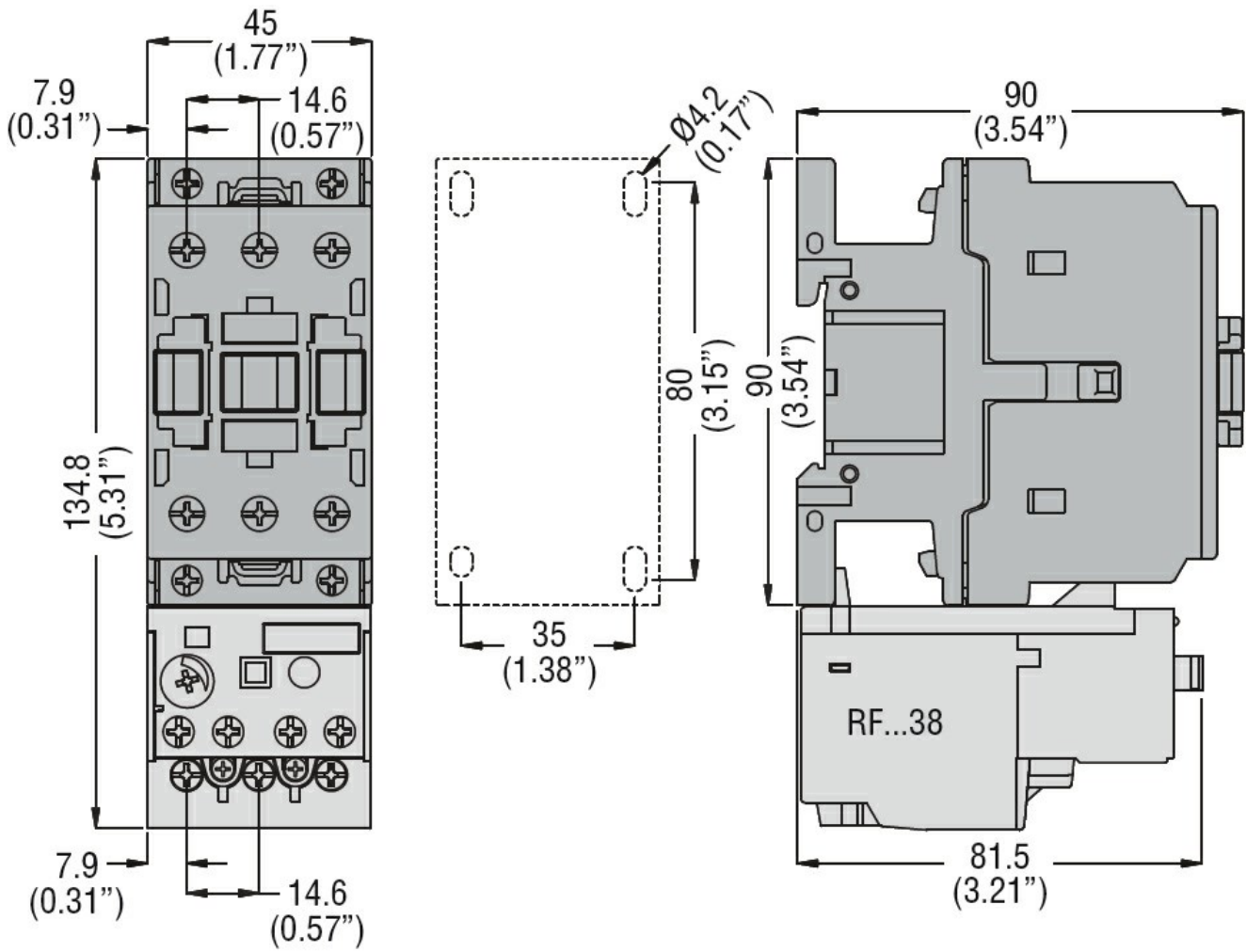
m 3000

Resistance & Protection

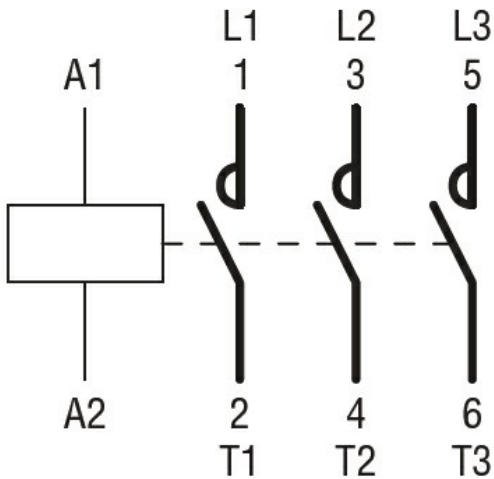
Pollution degree

3

Dimensions



Wiring diagrams



Certifications and compliance

Compliance

- CSA C22.2 n° 60947-1
- CSA C22.2 n° 60947-4-48
- UL 60947-1
- UL 60947-4-1

Certificates

cULus

ETIM classification

ETIM 8.0

EC000066 -
Power contactor,
AC switching